

4 3 2 1

F

F

E

E

D

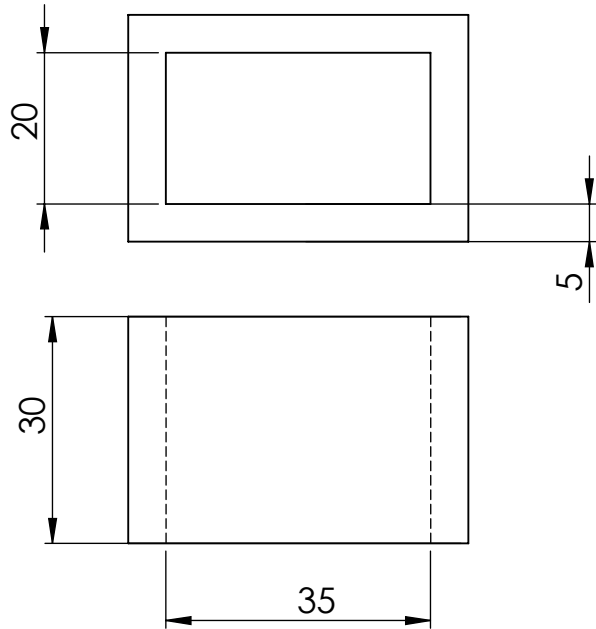
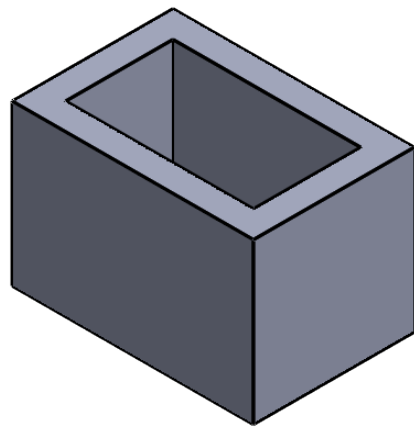
D

C

C

B

B



UNLESS OTHERWISE SPECIFIED:  
 DIMENSIONS ARE IN MILLIMETERS  
 SURFACE FINISH:  
 TOLERANCES:  
 LINEAR:  
 ANGULAR:

FINISH:

DEBURR AND  
 BREAK SHARP  
 EDGES

DO NOT SCALE DRAWING

REVISION

	NAME	SIGNATURE	DATE
DRAWN	Mees Spruijt		
CHK'D			
APPV'D			
MFG			
Q.A			

TITLE:	
MATERIAL:	
DWG NO.	2.02-1
WEIGHT:	
SCALE:1:1	SHEET 1 OF 1

A4

4 3 2 1

A

A