

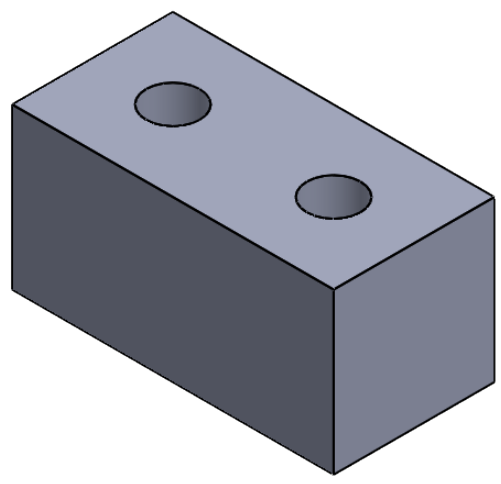
4 3 2 1

F

F

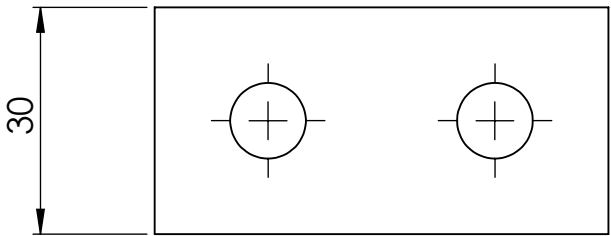
E

E



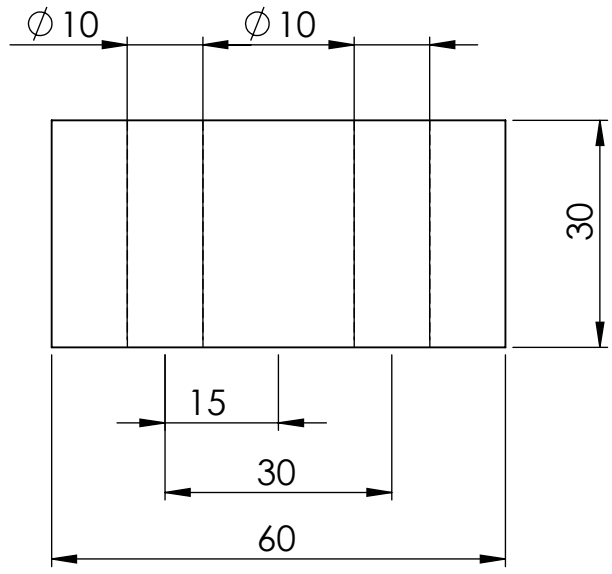
D

D



C

C



B

B

UNLESS OTHERWISE SPECIFIED:  
DIMENSIONS ARE IN MILLIMETERS  
SURFACE FINISH:  
TOLERANCES:  
LINEAR:  
ANGULAR:

FINISH:

DEBURR AND  
BREAK SHARP  
EDGES

DO NOT SCALE DRAWING

REVISION

A

A

NAME	SIGNATURE	DATE
DRAWN Mees Spruijt		
CHK'D		
APPV'D		
MFG		
Q.A		

TITLE:	
MATERIAL:	
DWG NO.	2.02-3
SCALE: 1:1	SHEET 1 OF 1

4 3 2 1

A4