

4 3 2 1

F

F

E

E

D

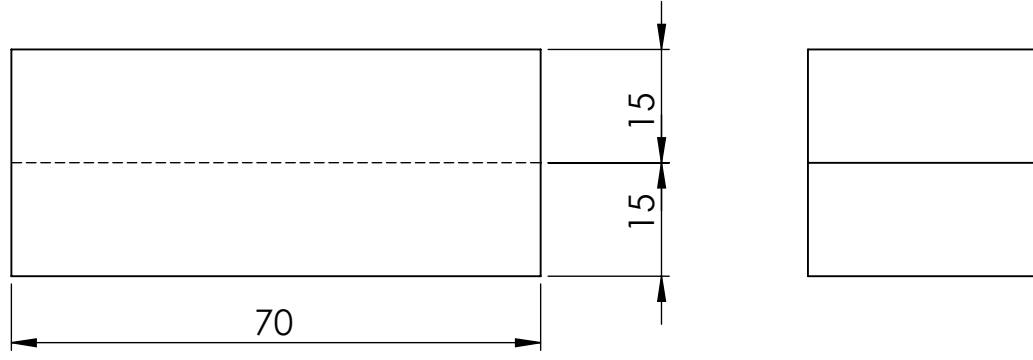
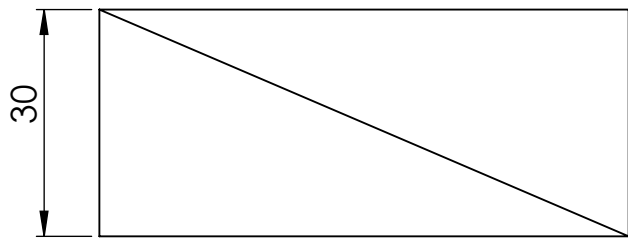
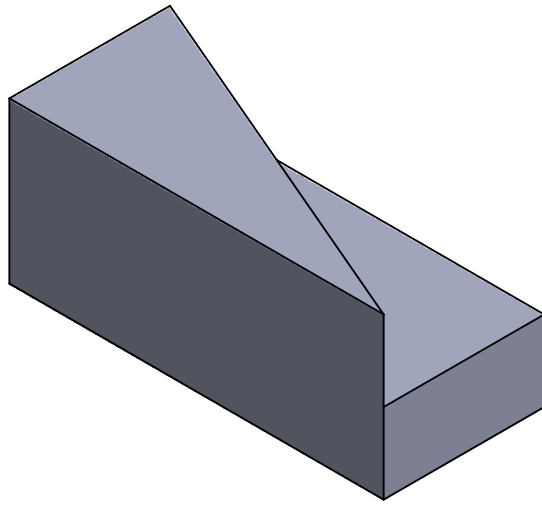
D

C

C

B

B



UNLESS OTHERWISE SPECIFIED:
 DIMENSIONS ARE IN MILLIMETERS
 SURFACE FINISH:
 TOLERANCES:
 LINEAR:
 ANGULAR:

FINISH:

DEBURR AND
 BREAK SHARP
 EDGES

DO NOT SCALE DRAWING

REVISION

NAME	SIGNATURE	DATE
Mees Spruijt		
CHK'D		
APPV'D		
MFG		
Q.A		

TITLE:

MATERIAL:

DWG NO. **2.05-3**

SCALE: 1:1

SHEET 1 OF 1

A

A

4 3 2 1