

4 3 2 1

F

F

E

E

D

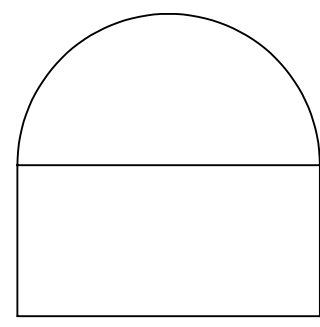
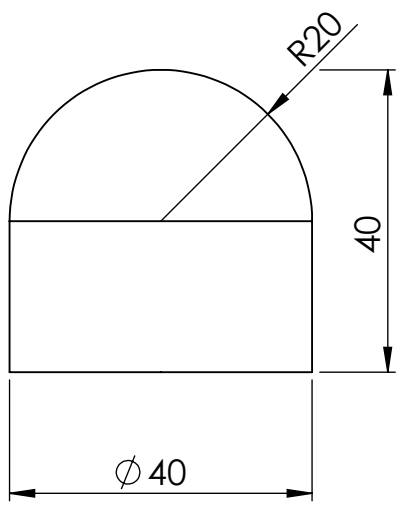
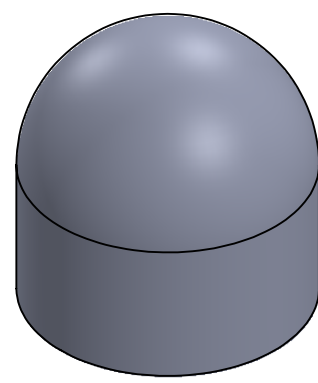
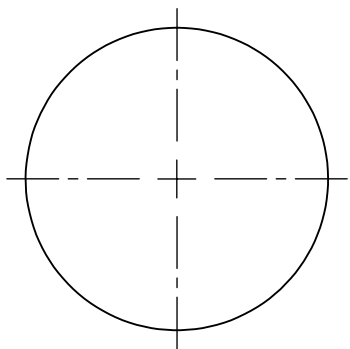
D

C

C

B

B



UNLESS OTHERWISE SPECIFIED:
 DIMENSIONS ARE IN MILLIMETERS
 SURFACE FINISH:
 TOLERANCES:
 LINEAR:
 ANGULAR:

FINISH:

DEBURR AND
 BREAK SHARP
 EDGES

DO NOT SCALE DRAWING

REVISION

NAME	SIGNATURE	DATE
DRAWN Mees Spruijt		
CHK'D		
APPV'D		
MFG		
Q.A		

TITLE:	
MATERIAL:	
DWG NO.	2.08-4
SCALE:1:1	SHEET 1 OF 1

A4

4 3 2 1