

4 3 2 1

F

F

E

E

D

D

C

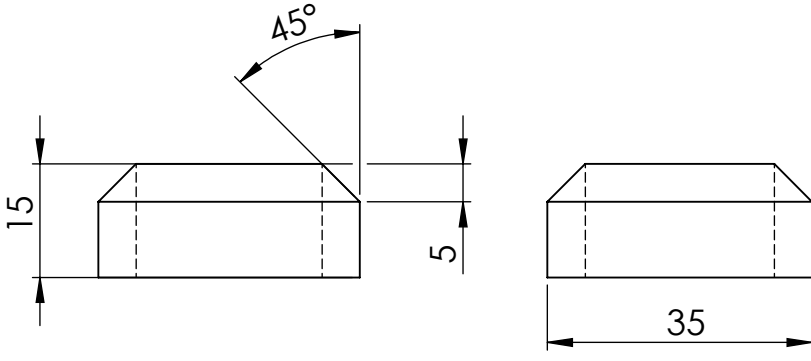
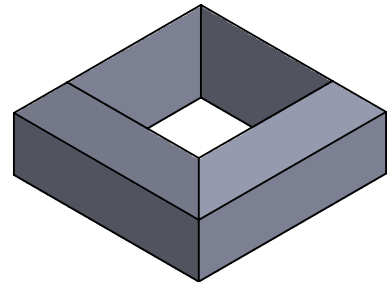
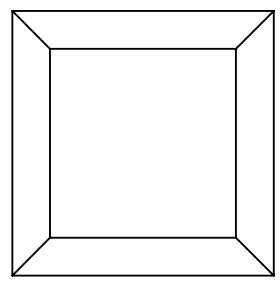
C

B

B

A

A



UNLESS OTHERWISE SPECIFIED:  
 DIMENSIONS ARE IN MILLIMETERS  
 SURFACE FINISH:  
 TOLERANCES:  
 LINEAR:  
 ANGULAR:

FINISH:

DEBURR AND  
 BREAK SHARP  
 EDGES

DO NOT SCALE DRAWING

REVISION

	NAME	SIGNATURE	DATE
DRAWN	Mees Spruijt		
CHK'D			
APPV'D			
MFG			
Q.A			

TITLE:

DWG NO. **2.09-1**

SCALE:1:1

SHEET 1 OF 1

A4

4 3 2 1