

4 3 2 1

F

F

E

E

D

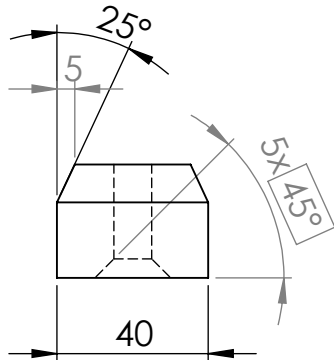
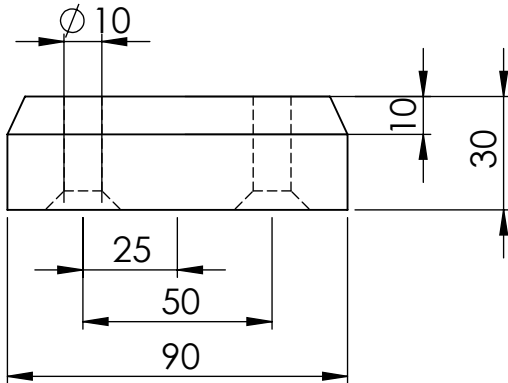
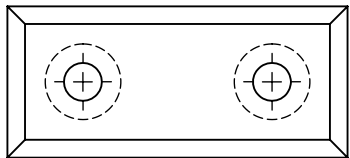
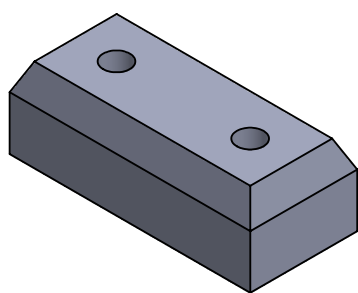
D

C

C

B

B



UNLESS OTHERWISE SPECIFIED:
DIMENSIONS ARE IN MILLIMETERS
SURFACE FINISH:
TOLERANCES:
LINEAR:
ANGULAR:

FINISH:

DEBURR AND
BREAK SHARP
EDGES

DO NOT SCALE DRAWING

REVISION

| | NAME | SIGNATURE | DATE |
|--------|--------------|-----------|------|
| DRAWN | Mees Spruijt | | |
| CHK'D | | | |
| APPV'D | | | |
| MFG | | | |
| Q.A | | | |

| | |
|------------|--------------|
| TITLE: | |
| DWG NO. | 2.09-3 |
| SCALE: 1:2 | SHEET 1 OF 1 |

A4

A

4 3 2 1